

# Housing joints for timber

This worksheet is about housing joints for joining pieces of timber. It tells you the good and bad points about these joints and how you can make them.

This joint is sometimes called a dado joint.

## What you will learn

When you have finished this worksheet, you should be able to:



Make housing joints correctly.

Fix housing joints correctly.

## Things you need before you start

### Materials

You will need scrap timber and some nails to work with.



### Tools or equipment

Measuring and marking tools



A saw, chisel and hammer



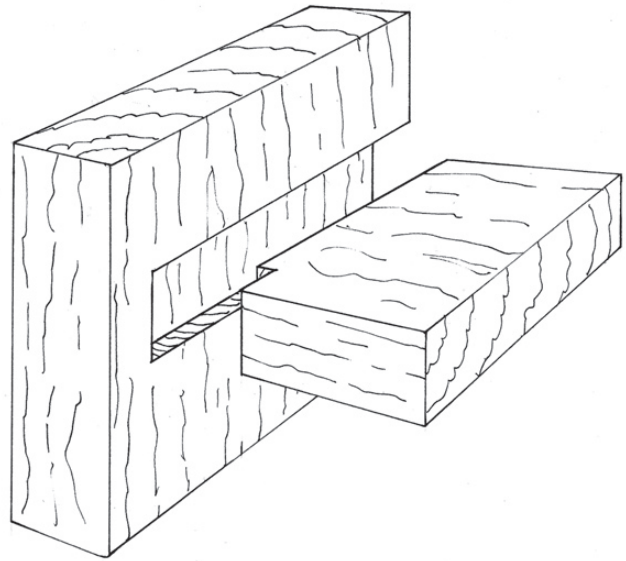
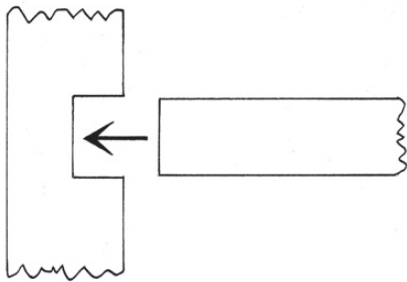
Fixings (nails, screws)



## What is a housing joint ?

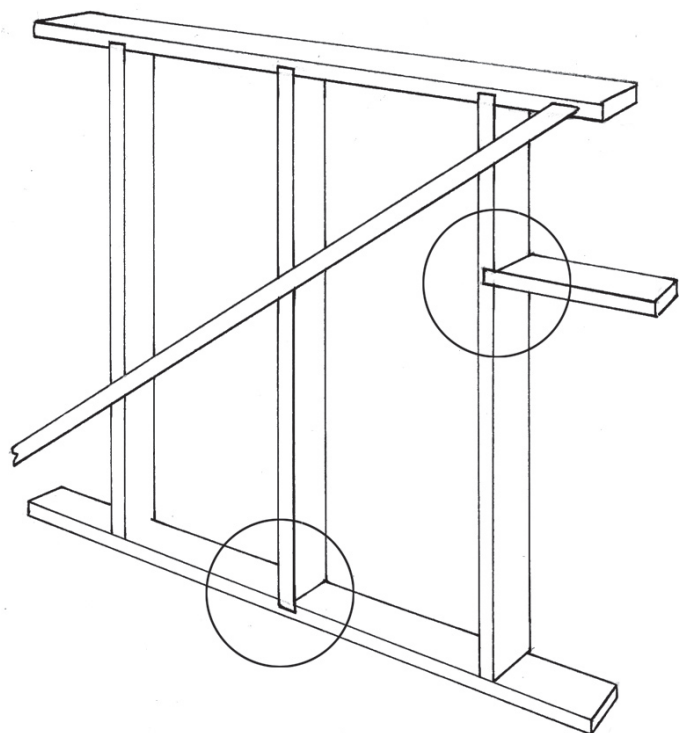
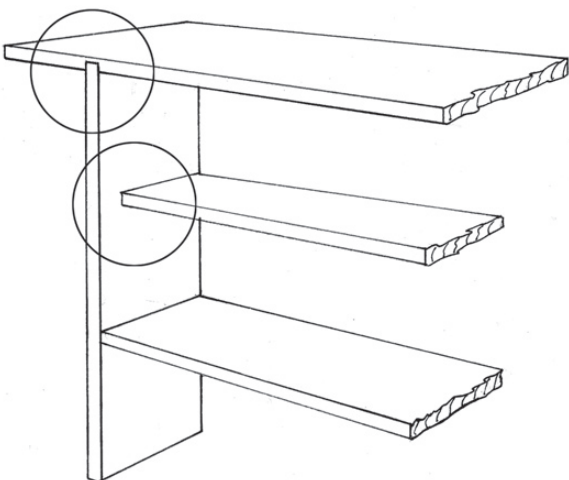
- A housing joint joins two pieces of timber.
- It needs special cuts in the timber.
- The close fit of the pieces makes the joint strong.
- The joint is usually fixed together by nails, but screws and construction glue can be used.

### Here are some examples



The joint is used to make things like shelves and steps

### Here are some examples in use



## Activity

Find some housing joints used around where you live.

- What are they used for?
- What sizes and types of housing joints can you find?

.....

## How do I make a housing joint ?

### You need these tools:

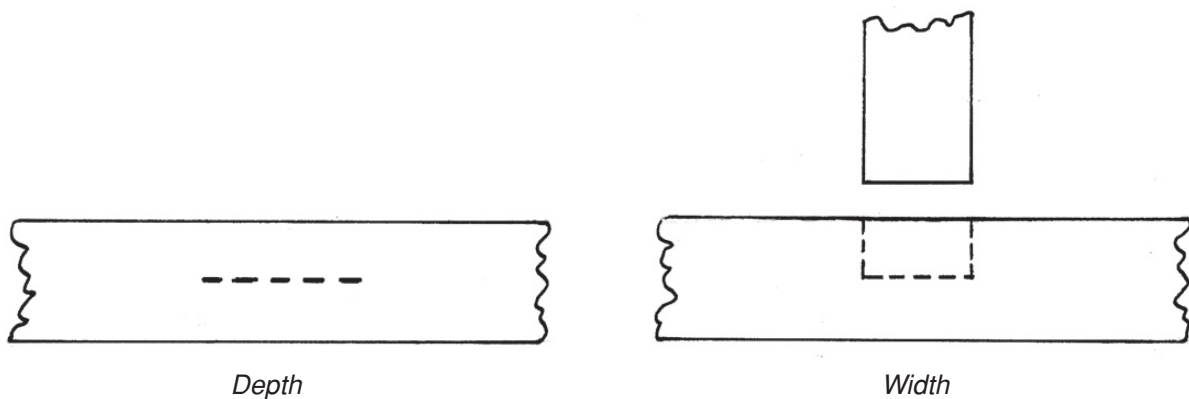
- measuring and marking tools
- saw and chisel
- hammer
- fixings (nails, glue)

### Safety

Remember the safety tips from the Hammering, Sawing and Chiselling worksheets.

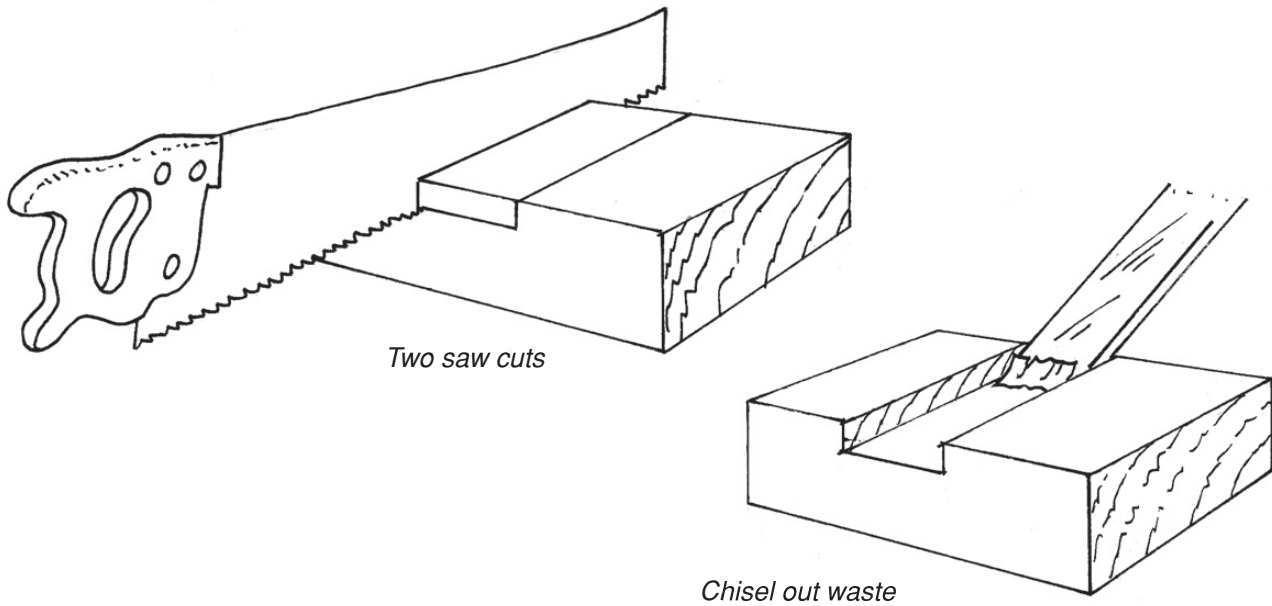
## Follow these steps

### Step 1 Measure and mark the position for the joint

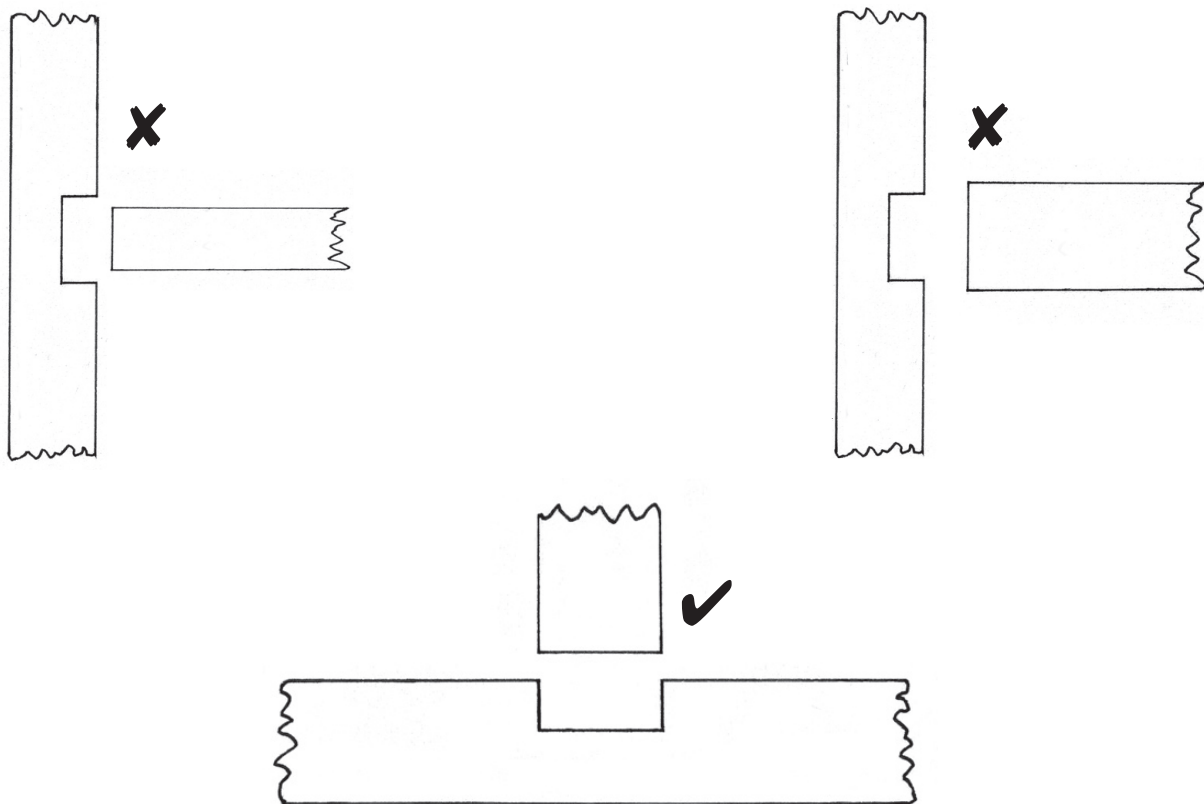


## Step 2 Cut the timber for the joint

Always cut on the waste side of your marks



Check that the two pieces fit together correctly and tightly.



If the joint is just a little too tight to go together, sand-paper or trim the end of the timber to fit. Don't try to widen the cut in the timber by a small amount. This is hard to do.

### Step 3 Fixing the joint with nails

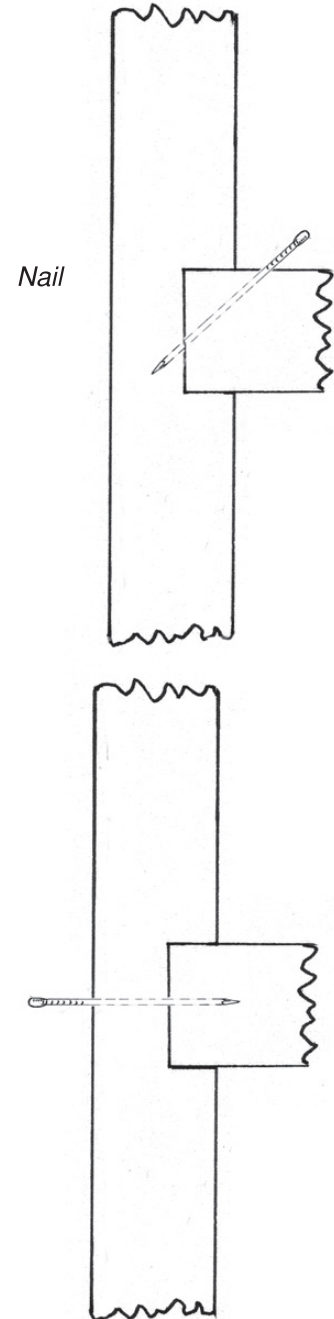
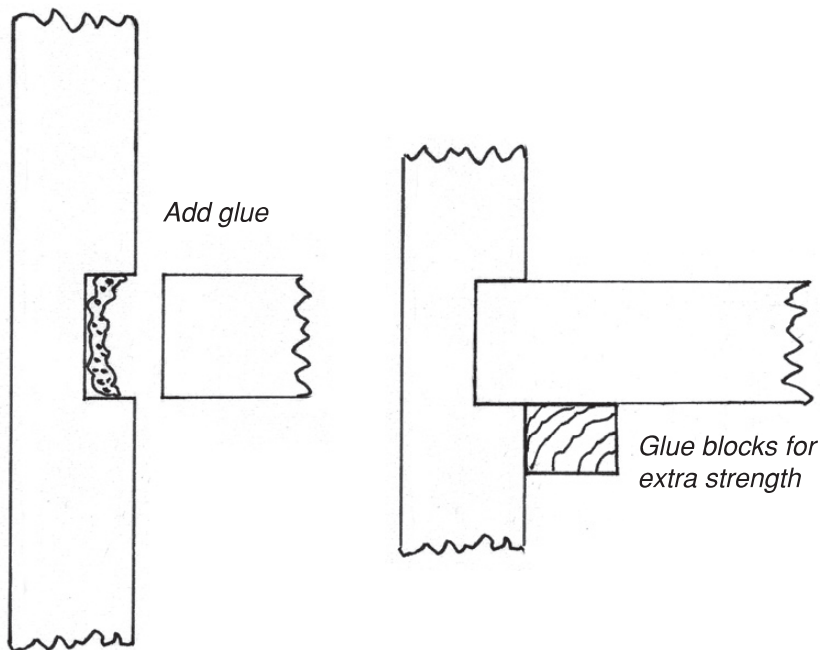
Use galvanised nails for construction work

Nails should be long enough to hold both pieces of timber, but not so long that they go right through.

#### If you need to:

Add glue to the joint for extra strength.

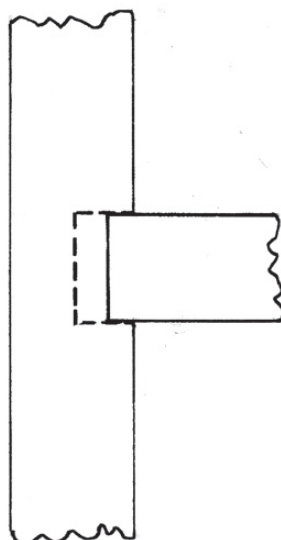
Add blocks for extra strength.



#### Things to check

Make sure the timber stays in place as it is nailed.

The pieces can move apart.



## Ask questions about anything you do not understand

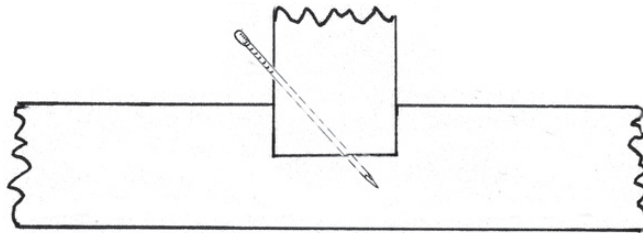
# Safety

Remember the safety tips from the Hammering, Sawing and Chiselling worksheets.

### Activity

Use scrap pieces of timber

1. Make a nailed housing joint like this.



The size you make it does not matter, but the pieces should fit together tightly.

.....